

C427

Digital Media Tuner

SERVICE MANUAL

C427

Digital Media Tuner

The NAD logo consists of the letters "NAD" in a white, bold, sans-serif font, centered within a solid black square.

TABLE OF CONTENTS

DESCRIPTION	PAGE
SPECIFICATIONS.....	4
WIRING DIAGRAM.....	5
WIRING DIAGRAM PARTS LIST.....	6
BLOCK DIAGRAM.....	7
CIRCUIT DIAGRAMS.....	8-10
PCB LAYOUT.....	11-15
ELECTRICAL VIEW PARTS LIST.....	16-23
EXPLODED VIEW	24-24
EXPLODED VIEW PARTS LIST	24-24

SPECIFICATION

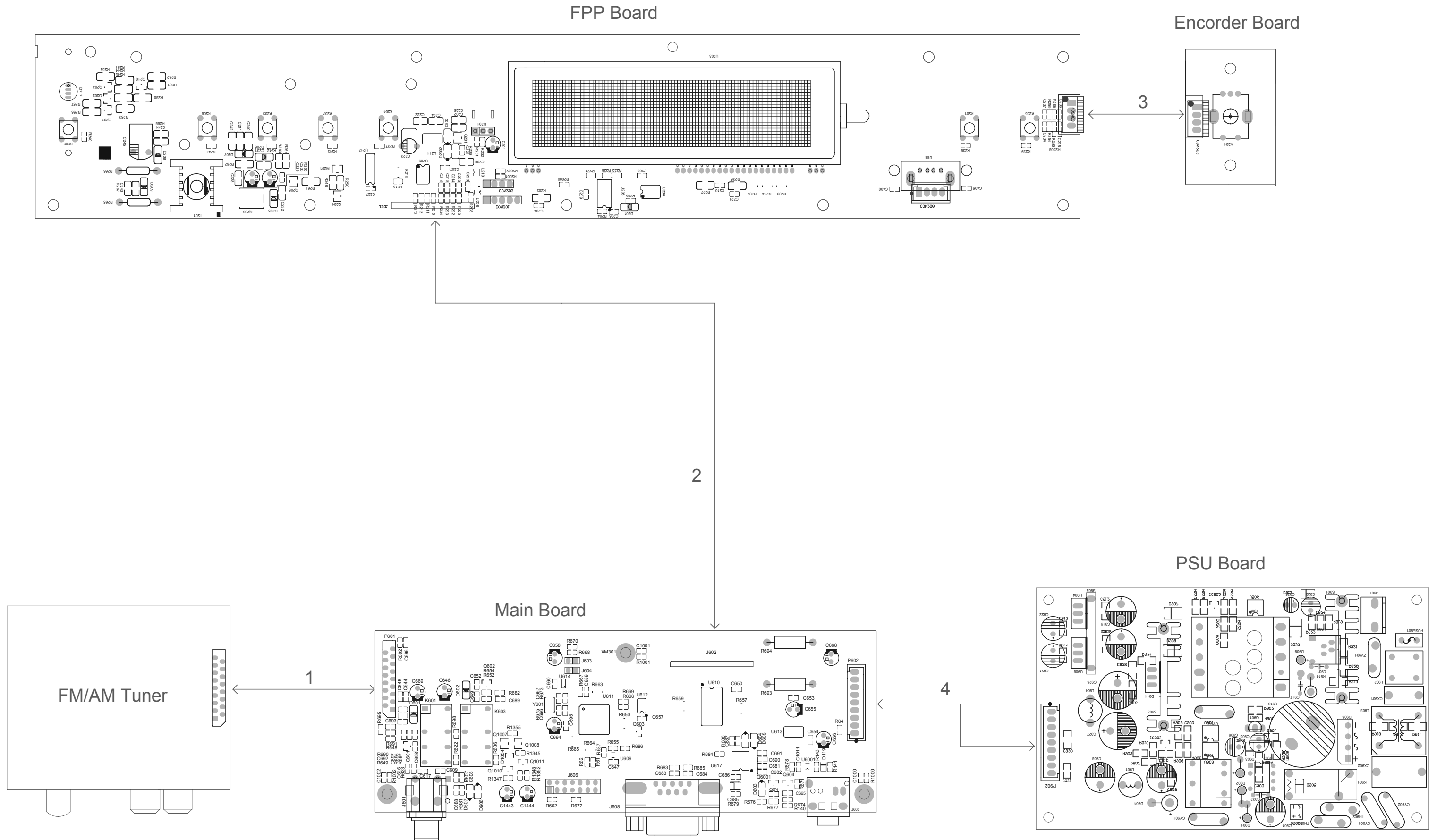
FM SECTION

Usable Sensitivity (98 MHz)		10 dBu
Signal/Noise Ratio		65 dB (60 dB_ IHF-WTD Mono) 60 dB (60 dB_ IHF-WTD Stereo)
Frequency Response		±1.5 dB (20 Hz - 15 kHz, 60 dB_)
Channel Separation (60 dBu)	30 Hz	33 dB
	1 kHz	40 dB
	10 kHz	32 dB
Capture Ratio (40 dBu)		3 dB
AM Suppression		50 dB (60 dBu, 100% Mod. FM, 30% Mod. AM)
Image Rejection (119.4 MHz)		70 dB
I.F. Rejection (10.7 MHz)		70 dB
Pilot Suppression (60 dBu)		60 dB
Total Harmonic Distortion* - Mono		0.4%
	Stereo	0.8%
Auto Search Sensitivity		24 dBu
RDS Decode Sensitivity		26 dBu

AM SECTION

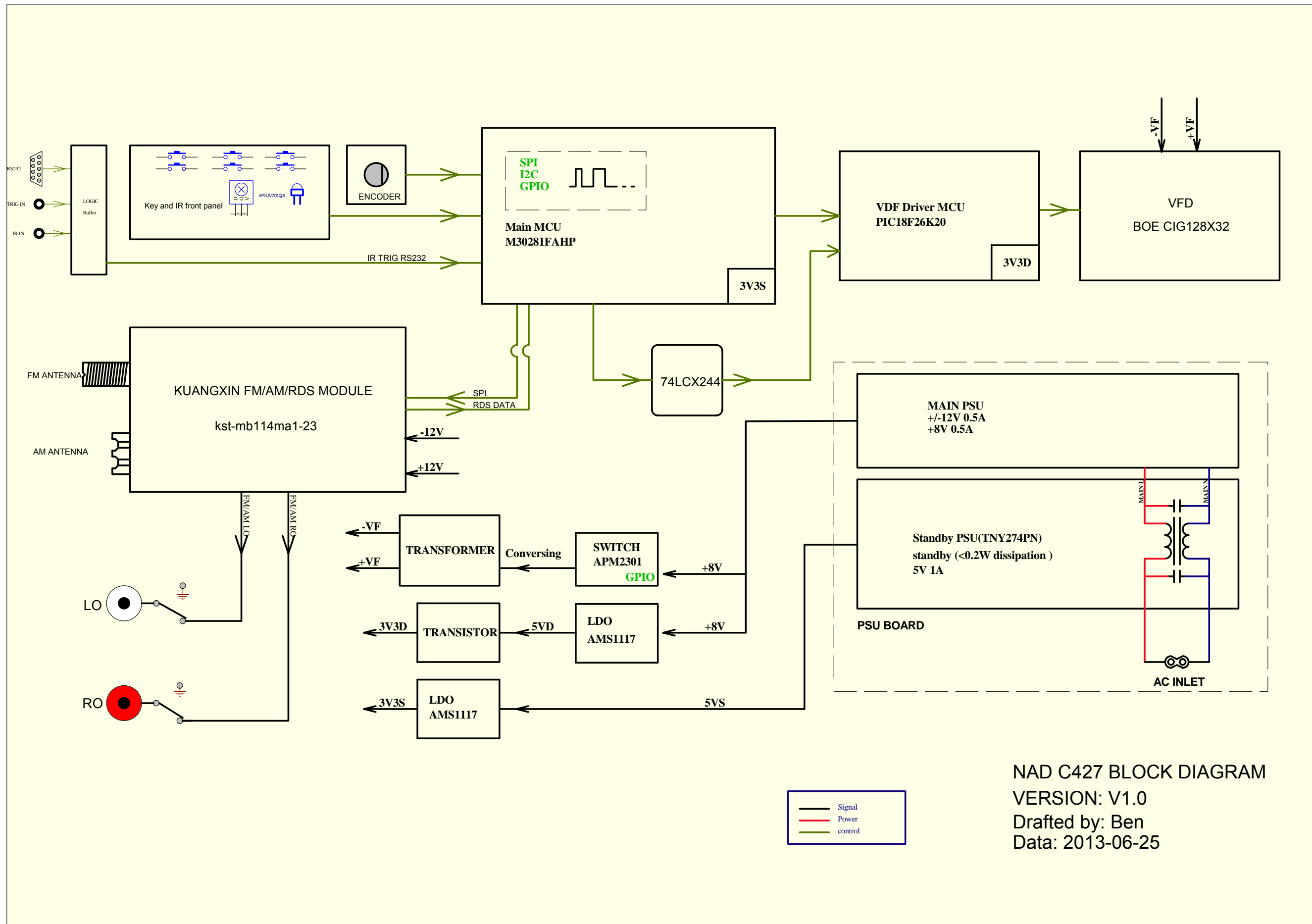
Usable Sensitivity (999/1000 Hz)		55 dB_
Signal/Noise Ratio (5 mV in)		42 dB
Total Harmonic Distortion (5 mV in)		1.5%
IF Rejection (450 kHz)		40 dB
Image Rejection (F+2xIF)		28 dB
Selectivity		20 dB
Loop Sensitivity (20dB S/N) -	999/1000 Hz	66 dB
	603/600 Hz	66 dB
	1404/1400 Hz	66 dB
Frequency response (100 - 2.3 kHz, 5 mV)		±6 dB

C427 WIRING DIAGRAM



WIRING DIAGRAM PARTS LIST

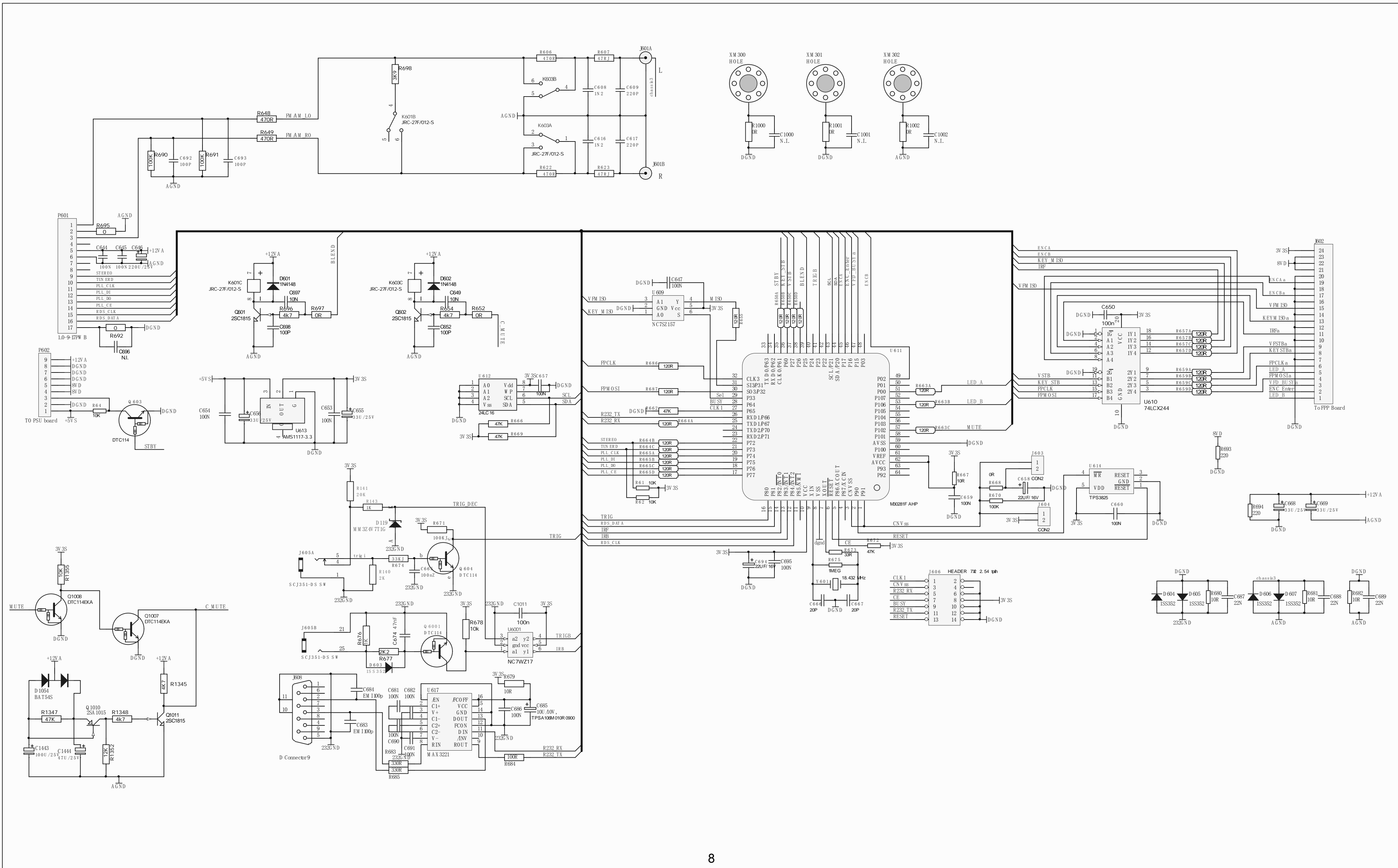
Item	Part Number	Description	Remark
1	14-42717-00	Cable,1.25mm,17PIN,L=95mm	Tuner To Main Board
2	14-42724-00	Cable,1.0mm,24PIN,L=240mm	Key Board To Main Board
3	14-44604-01	Cable,UL2468#26AWG,4PIN,L=80mm	Key Board To Encorde Board
4	14-42709-00	Cable,UL2468#26AWG*9C,9PIN,L=240mm	PSU Board To Main Board



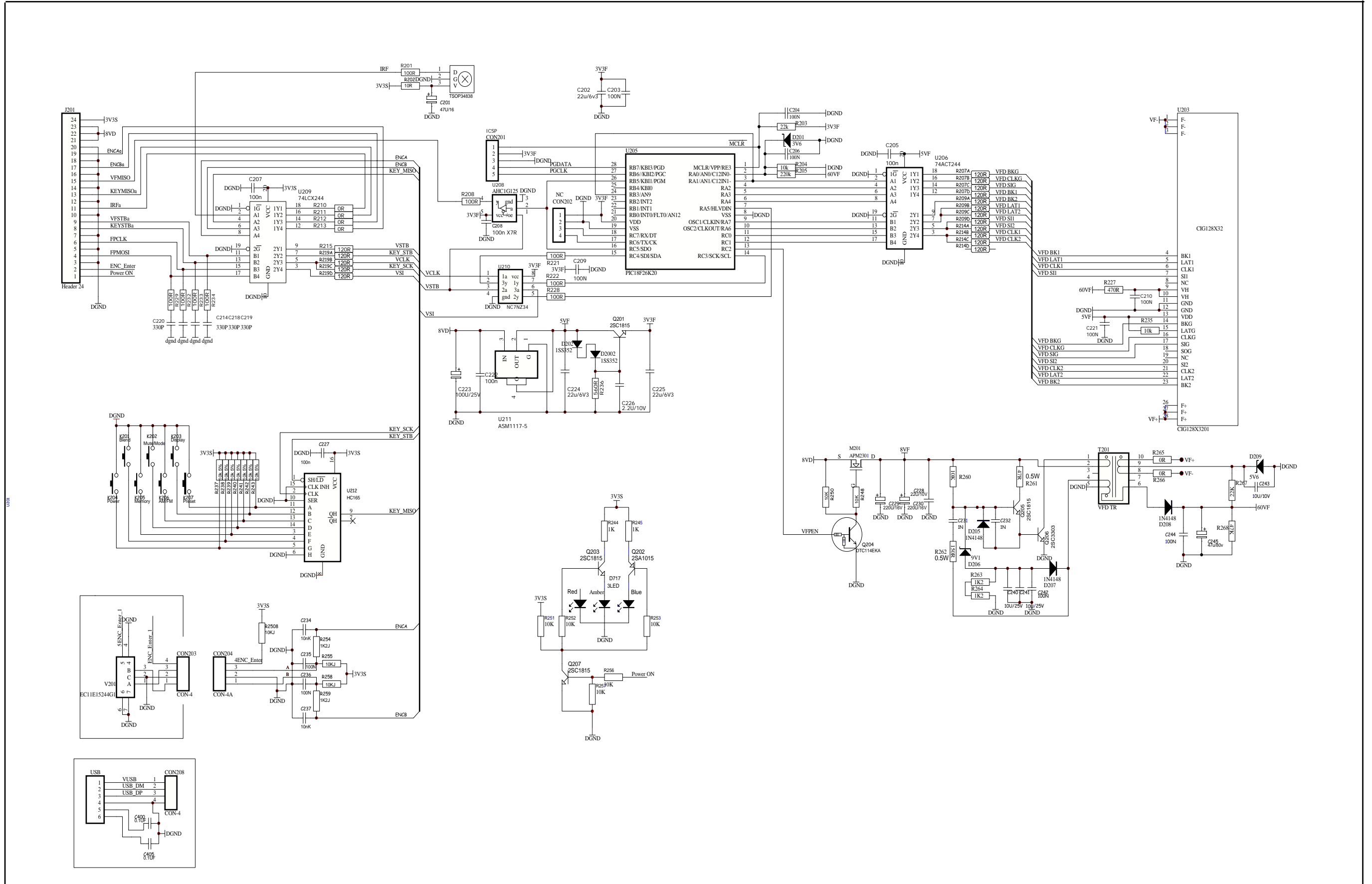
NAD C427 BLOCK DIAGRAM
 VERSION: V1.0
 Drafted by: Ben
 Data: 2013-06-25

CIRCUIT DIAGRAMS

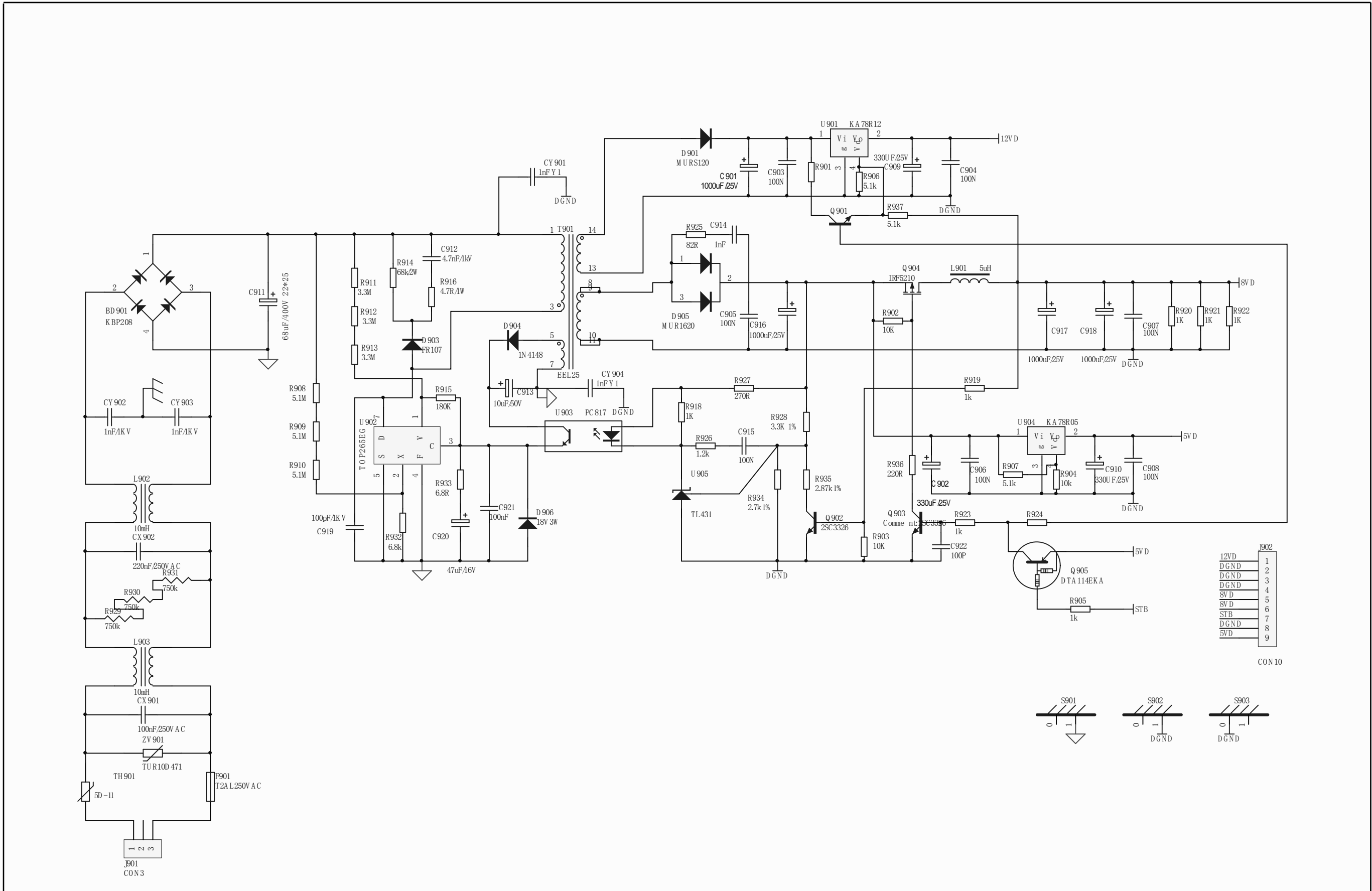
1.MAIN BOARD VM2.0



2.FPP BOARD VM2.0 AND FPP ENCODE BOARD VM2.0

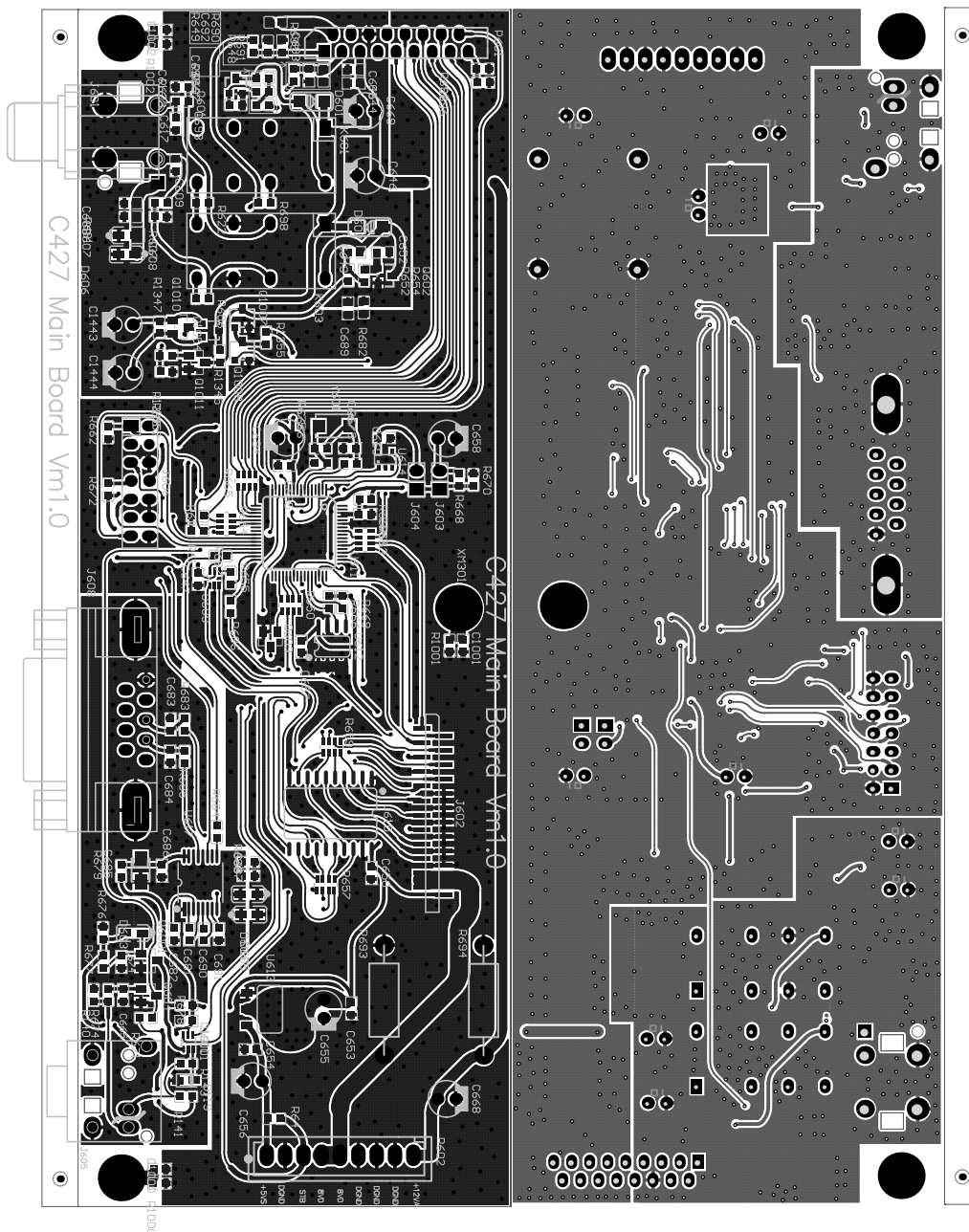


3.SMPS BOARD VM2.0



PCB LAYOUT

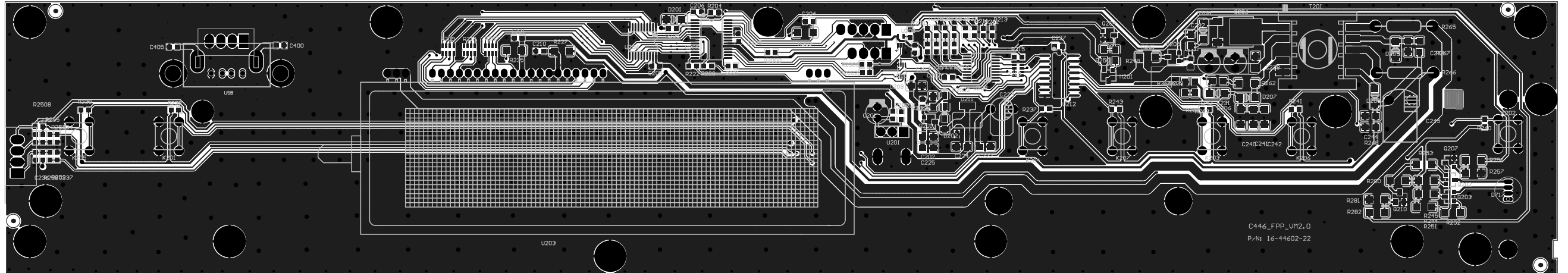
1.MAIN BOARD VM2.0



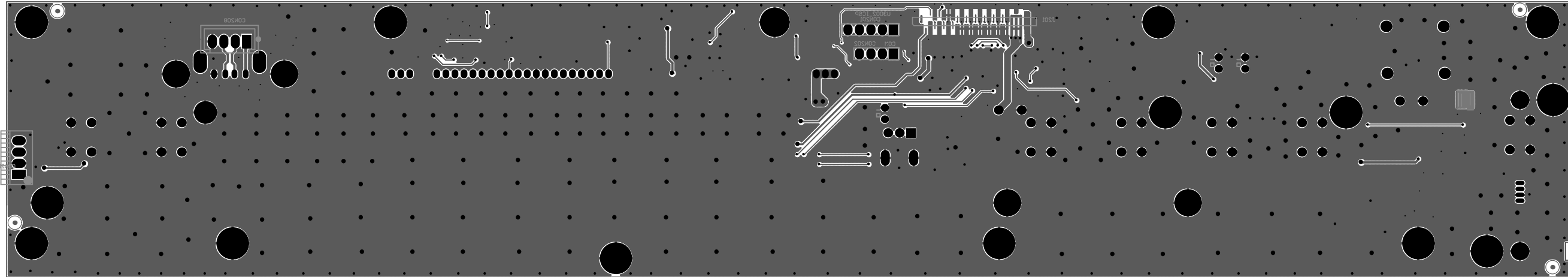
Top Layer

Bottom Layer

2. FPP BOARD VM2.0

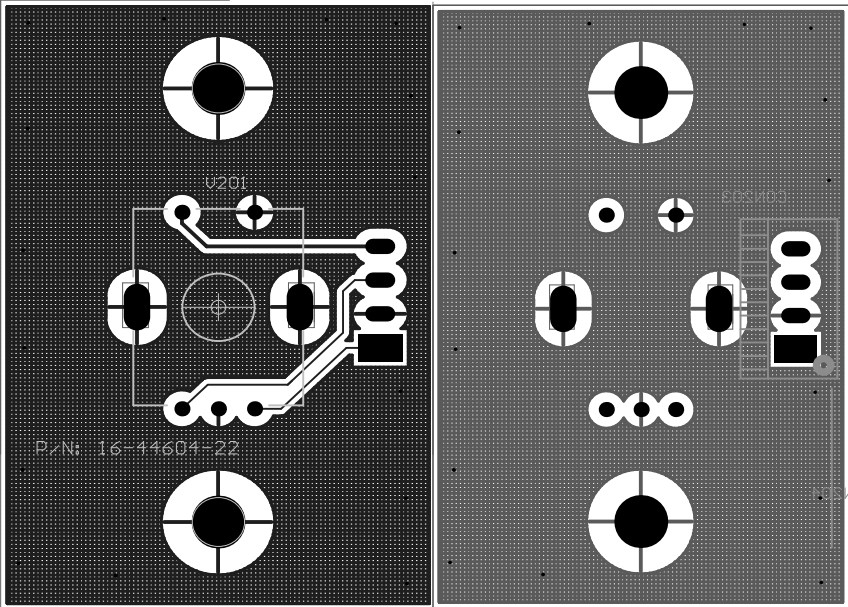


2.FPP BOARD VM2.0



Bottom Layer

3.FPP ENCODE BOARD VM2.0



Top Layer

Bottom Layer

ELECTRICAL PARTS LIST

PCB-1:MAIN BOARD			
	PART NO.		DESCRIPTION
	PCB INFO		
	A16-42701-21	MAIN PCB	VM1.0,FR-4, 1.6mm,TG130,166*60mm
	DIODE		
D601, D602	33-44148-17	Switch Diode SMD	1N4148
D603, D604, D605, D606, D607	33-40352-01	Switch Diode	1SS352
D1054	33-40054-00	Schottky Diode	BAT54S, SOT23
D119	33-14709-07	Zener Diode	MM3Z4V7T1G, 4.7V 0.2W ± 5%
	TRANSISTOR		
Q603, Q604, Q6001, Q1007, Q1008	31-00114-05	Transistor	DTC114
Q601, Q602, Q1011	31-01815-03	Transistor	2SC1815
Q1010	31-01015-03	Transistor	A1015, SOT23
	IC		
U614	03-03825-33	Supervisory Circuit	TPS3825
U611	03-30281-03	MCU	M30281FAHP
U617	03-03221-02	RS232 Interface	MAX3221
U609	03-07157-01	2:1 Multiplexer	NC7SZ157
U6001	03-00717-01	Buffer	NC7WZ17
U613	03-01117-33	Regulator	AMS1117-3.3
U610	03-00244-01	Octal Buffer	74LCX244
U612	03-02416-02	EEPROM	24LC16
	RESISTOR		
R652, R668, R692, R695, R697, R1000, R1001, R1002	07-90000-00	Chip resistor	0Ω,0603,1/10W,±5%
R667, R679, R680, R681, R682	07-91009-00	Chip resistor	10Ω,0603,1/10W,± 1%,RC0603FR-0710RL
R673	07-93309-00	Chip resistor	33Ω,0603,1/10W,±1%
R607, R623	07-94709-00	Chip resistor	47Ω,0603,1/10W,±1%
R684	07-91000-00	Chip resistor	100Ω,0603,1/10W,±1%
R655, R686, R687	07-91200-00	Chip resistor	120Ω,0603,1/10W,±1%
R683, R685	07-93300-00	Chip resistor	330Ω,0603,1/10W,±±1%
R606, R622, R648, R649	07-94700-00	Chip resistor	470Ω,0603,1/10W,±1%
R143, R676	07-91001-00	Chip resistor	1KΩ,0603,1/10W,± 1%,RC0603FR-0711KL
R140	07-92001-00	Chip resistor	2KΩ,0603,1/10W,±1%
R677	07-92201-00	Chip resistor	2.2KΩ,0603,1/10W,±1%
R698	07-93901-00	Chip resistor	3.9KΩ,0603,1/10W,±1%
R654, R696, R1345, R1348	07-94701-00	Chip resistor	4.7KΩ,0603,1/10W,±1%
R61, R62, R64, R678, R1355	07-91002-00	Chip resistor	10KΩ,0603,1/10W,±1%
R1352	07-91202-00	Chip resistor	12KΩ,0603,1/10W,±1%
R141	07-92002-00	Chip resistor	20KΩ,0603,1/10W,±1%
R674	07-93302-00	Chip resistor	33KΩ,0603,1/10W,±1%
R662, R666, R669, R672, R1347	07-94702-00	Chip resistor	47KΩ,0603,1/10W,±1%
R670, R671, R690, R691	07-91003-00	Chip resistor	100KΩ,0603,1/10W,±1%
R675	07-90105-00	Chip resistor	1MΩ,0603,1/10W,± 5%,RC0603JR-071ML
R650, R657, R659, R663, R664, R665	07-90121-10	Chip resistor	120Ω, ±5% R0603X4
R693	07-30221-03	Metal Oxide Film Resistor	RY21,220Ω,2W,± 5%,Pitch=15mm,H=3-4mm
R694	07-30221-06	Metal Oxide Film Resistor	RY21,220Ω,3W,±5%, Pitch=15mm,H=3-4mm
	CAPACITOR		

C666, C667	26-20051-00	Ceramic Chip Capacitor	20pJ,50V,0603,NPO
C683, C684, C652, C692, C693, C698	26-10112-10	Ceramic Chip Capacitor	100pF,100V 0603, NPO
C609, C617	26-22112-00	Ceramic Chip Capacitor	220pJ, 100V, 5%, NPO,0603,
C608, C616	26-12251-10	Ceramic Chip Capacitor	1n2J,50V,0603,NPO
C649, C697	26-10351-00	Ceramic Chip Capacitor	10nK,50V,0603,X7R,C2012 X7R1H103KT
C687, C688, C689	26-22351-00	Ceramic Chip Capacitor	22nK,50V,0603,X7R
C674	26-47351-00	Ceramic Chip Capacitor	47nJ,50V,X7R,0603
C644, C645, C647, C653, C654, C657, C659, C660, C681, C682, C686, C690, C691, C650, C665, C695	26-10411-00	Ceramic Chip Capacitor	100nF,16V 0603, X7R
C1011	26-10421-10	Ceramic Chip Capacitor	100nK,25V 0603,X7R
C685	27-10011-03	Chip Tan Electrolytic Capacitor	10uF,10V,± 10%,T491A106K010AT
C658, C694	06-22011-10	Ceramic Chip Capacitor	CD263,22uF,16V,±20%,F2.5
C655, C656, C668, C669	06-33021-04	Alu Electrolytic Capacitor	CD263, 33uF, 25V, ±20%, F2.5
C1444	06-47021-02	Alu Electrolytic Capacitor	CD263,47uF,25V,±20%, F2.5
C1443	06-10121-04	Alu Electrolytic Capacitor	CD263,100uF,25V,± 20%,F2.5
C646	06-22111-12	Ceramic Chip Capacitor	CD263,220uF,16V,± 20%,F2.5
CAYSTAL			
Y601	04-11842-01	CRYSTAL	18.432 MHz
CONNECTOR			
J602	13-21024-07	FFC Connector	24PIN 1.0mm 1.0-9-24PB
J605	17-02002-07	Phone Jack	SJ-3541-5P
J605	or17-02002-02	Phone Jack	SCJ351-DS SW
J601	17-01002-03	2RCA	2 holes RJ-21V01A
J608	17-08009-00	RS232 Socket	D Connector 9, RS232/F,7906-09FHA
J603, J604	13-12502-18	Connector	2.54mm,2pin,CNT-M254-1*2-GS-5/3-N
P602	13-22509-00	Connector Socket	XHB 2.5A-9A
P601	13-21217-00	FPC Connector	1.25-2-17P
K601, K603	12-02101-02	Signal Relay	JRC-27F/012-S
PCB-2:FPP BOARD			
CIRCUIT NO.	PART NO.		DESCRIPTION
	PCB INFO		
	A16-44602-22	FPP PCB	VM2.0,FR-4, 1.6mm,TG130,346*61mm
	DIODE		
D201	33-13609-10	Zener Diode	3.6V, 0.5W LL34
D202, D2002	33-40352-01	Switch Diode	1SS352
D205, D207	33-44148-17	Switch Diode	1N4148W-NR,SOD123
D208	33-40021-11	Switch Diode	BAV21W
D206	33-11000-05	Zener Diode	BZT52C10,10V,350mW
D209	33-17509-04	Zener Diode	BZT52C7V5,7.5V,500mW
D717	33-50565-12	LED	BL-BB3JCUB2C4V-1-10F Blue wave length 462~467nm
	TRANSISTOR		
M201	31-02301-01	P-CH MOSFET	APM2301CAC, SOT23, Tape

Q201, Q205, Q203, Q207, Q210	31-01815-03	Transistor	2SC1815 SOT23
Q202	31-01015-03	Transistor	2SA1015 SOT23
Q204	31-00114-05	Digital transistor	DTC114EKA
Q206	31-03303-01	Transistor	2SC3303
IC			
U205	03-01826-01	MCU	PIC18F26K20
U206	03-00244-08	Octal Buffer	SN74HCT244PWR
U208	03-00125-06	single buffer	AHC1G125
U209	03-00244-06	Octal Buffer	SN74LVC244APWR
U210	03-00734-01	triple buffer	NC7NZ34K8X
U211	03-01117-01	Linear Regulator	AMS1117-5
U212	03-00165-01	Shift Register	HC165
U201	03-34838-00	IR	TSOP34838
RESISTOR			
R210, R211, R212, R213	07-90000-00	Chip resistor	0Ω,0603,1/10W,±5%
R202	07-91009-00	Chip resistor	10Ω,0603,1/10W,±1%,RC0603FR-0710RL
R201, R208, R221, R222, R228, R229, R232, R233, R234, R2000, R2002	07-90101-00	Chip resistor	100Ω,0603,1/10W,±5%,RC0603JR-07100RL
R215	07-90121-00	Chip resistor	120Ω,0603,1/10W,±5%,RC0603JR-07120RL
R236	07-90561-00	Chip resistor	560Ω,0603,1/10W,±5%,RC0603JR-07560RL
R254, R259	07-90122-00	Chip resistor	1.2KΩ,0603,1/10W,±5%,RC0603JR-071K2L
R237, R238, R239, R240, R241, R242, R243, R204, R260, R255, R258, R2508	07-90103-00	Chip resistor	10KΩ,0603,1/10W,±5%,RC0603JR-0710KL
R205	07-90224-00	Chip resistor	220KΩ,0603,1/10W,±5%,RC0603JR-07220KL
R263, R264	07-90122-01	Chip resistor	1.2KΩ,0805,1/8W,±5%,RC0805JR-071K2L
R248, R250	07-90103-01	Chip resistor	10KΩ,0805,1/8W,±5%,RC0805JR-0710KL
R267	07-90223-01	Chip resistor	22KΩ,0805,1/8W,±5%,RC0805JR-0722KL
R268	07-90473-01	Chip resistor	47KΩ,0805,1/8W,±5%,RC0805JR-0747KL
R261	07-90470-02	Chip resistor	47Ω,1206,1/4W,±5%,RC1206JR-0747RL
R245	07-90750-02	Chip resistor	75Ω,1206,1/4W,±5%,RC1206JR-0775RL
R262	07-90151-02	Chip resistor	150Ω,1206,1/4W,±5%,RC1206JR-07150RL
R227	07-90101-02	Chip resistor	100Ω,1206,1/4W,±5%,RC1206JR-07100RL
R244	07-90471-02	Chip resistor	470Ω,1206,1/4W,±5%,RC1206JR-07470RL
R235, R251, R252, R253, R256, R257, R280, R281, R282	07-90103-02	Chip resistor	10KΩ,1206,1/4W,±5%,RC1206JR-0710KL
R203	07-90223-02	Chip resistor	22KΩ,1206,1/4W,±5%,RC1206JR-0722KL
R207, R209, R214, R219	07-90121-10	Chip resistor	120Ω, ±5% R0603X4
R265, R266	07-20000-51	Metal Film Resistor	0Ω,1/4W,±5%
CAPACITOR			
C214, C218, C219, C220	26-33151-00	ceramic capacitor	330pJ,50V,0603,NPO
C234, C237	26-10351-00	Multilayer Ceramic CAP	10nK,50V,0603,X7R,C2012 X7R1H103KT
C203, C204, C205, C206, C207, C209, C210, C221, C227, C235, C236	26-10411-00	ceramic capacitor	100nF,16V 0603, X7R

C231, C232	26-10251-01	ceramic capacitor	1nK,50V,0805,X7R
C208, C222, C244	26-10411-01	ceramic capacitor	100nK,16V,0805,X7R
C226	26-22521-01	ceramic capacitor	2.2uF,±10%,25V,X5R,0805
C243	26-10611-01	ceramic capacitor	10uF,0805,10V,C0805C106 M8PACTU
C202, C224, C225, C228	26-22660-11	ceramic capacitor	22uF, 6.3V, X5R, 0805
C242	26-10422-02	ceramic capacitor	100nK,200V,1206,X7R,C32 16X7R2E104KT
C240, C241	26-10611-02	ceramic capacitor	10uF, 16V, X5R, ± 10%,1206,
C201	06-47011-03	ALU Electrolytic CAP	CD263(X),47uF,16V,± 20%,F2.5
C223	06-10111-00	ALU Electrolytic CAP	CD110(X),100uF,16V,± 20%,85°C,F5.0
C229, C230	06-22111-04	ALU Electrolytic CAP	CD263(X),220uF,10V,± 20%,F2.5
C245	06-47012-00	ALU Electrolytic CAP	47uF,100V,± 20%,CD110,F5.0
TRANSISTORS			
T201	22-00145-01	Regulator	C446TR V2
CONNECTOR			
J201	13-21024-07	FFC Connector	24PIN 1.0mm 1.0-9-24PB
	66-009011-0	IR Bracket	
	65-009011-0	IR Cover	HS4-T562-B009V1-M015
CON204	13-22504-00	Connector Socket	XHB 2.5A-4A
CON201	13-12505-14	Header	2.54mm, 5Pin, CNT-M254-1*5-GS-5.9/3-N
K201, K202, K203, K204, K205, K206, K207	11-04101-05	Tact Switch	IT-1102A-1160
U203	23-00128-02	VFD DISPLAY	CIG128X3201A
	66-223002-1	Bracket	SECC-N5 T=1.0mm
	85-223003-0	Plastic spacer	HP-12
	61-023208-2	Self Tapping Screw	BTB3.2x8
L=80mm	14-44604-01	Wire	L=80mm
PCB-3:FPP ENCODE BOARD			
CIRCUIT NO.	PART NO.		DESCRIPTION
	PCB INFO		
	A16-44604-22	FPP ENCODE PCB	VM2.0,30*45mm
	CONNECTOR		
CON203	13-22504-00	Connector Socket	XHB 2.5A-4A
V201	37-15244-00	Rotary Encoder	EC11E15244G1
PCB-4:SMPS BOARD			
CIRCUIT NO.	PART NO.		DESCRIPTION
	PCB INFO		
	A16-42705-21	SMPS PCB	VM1.0,FR-4,1.6mm,TG130
	DIODE		
D904	33-44148-17	Switch Diode	1N4148W-NR
D901	33-20120-01	Schottky Rectifier Diode	MURS120T3G
D906	33-11800-30	Zener Diode	18V, 3W, ±5%, SMB
BD901	33-30282-00	Rectifier Bridge	KBP208G,2A/800V
D903	33-20107-00	Fast-Recovery Rectifier Diode	FR107, DO-41
D905	33-21620-00	Ultrafast Rectifier	MUR1620CT, TO220
D905	or N33-20150-02	Schottky Rectifier Diode	SBR20A150CT, TO220

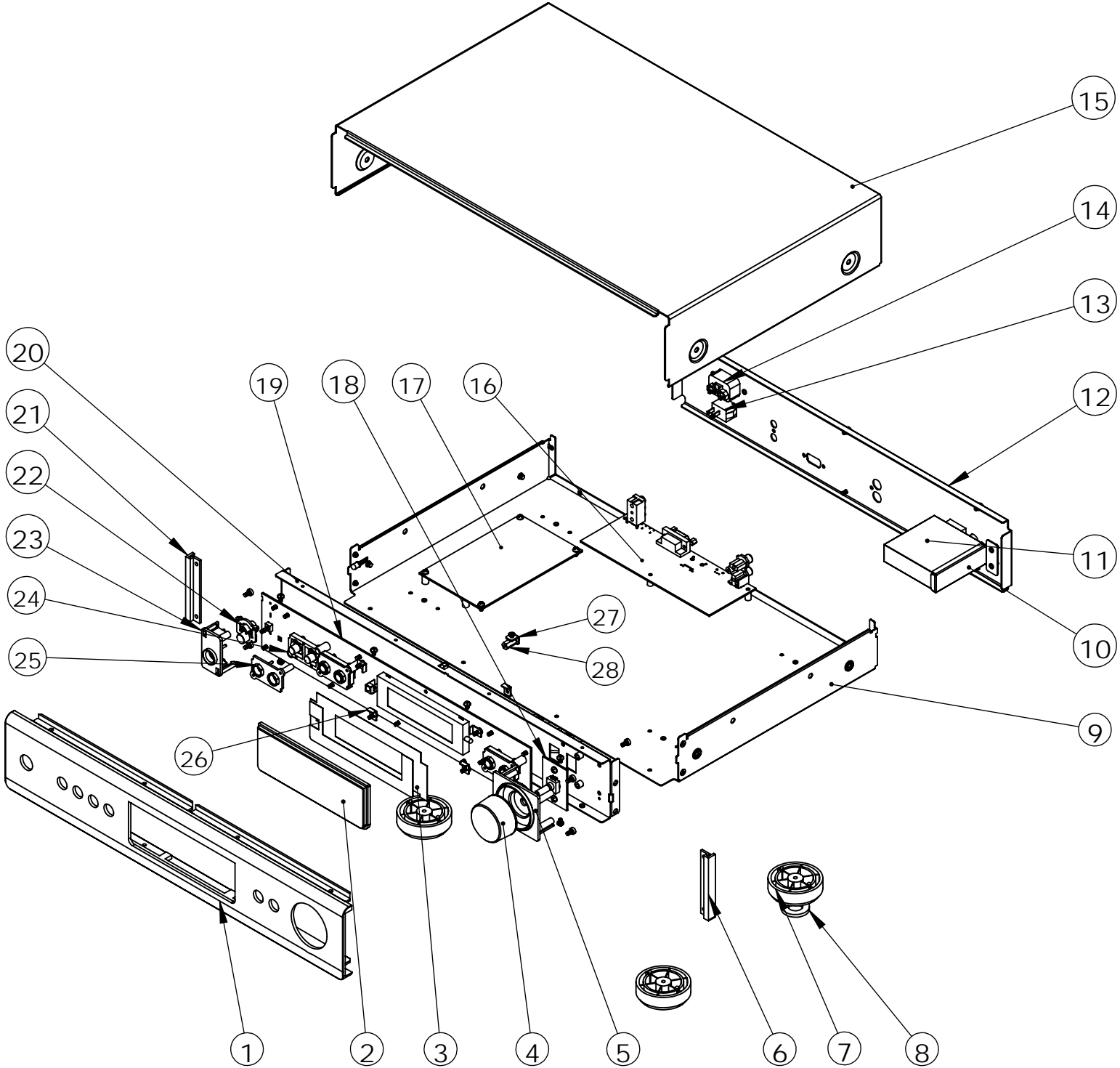
	TRANSISTORS		
Q902, Q903	31-03326-01	Transistor	2SC3326-A(TE85L,F), SC-59
Q905	31-00114-01	Digital transistor	DTA114EKA
	IC		
U903	A03-00817-09	Photo Coupler	EL817S1(B)(TA)-F
U905	03-00431-11	Voltage Norm	TL431BCDBZTG4
U902	03-00265-00	Power controller IC	TOP265EG
U904	03-07805-16	3-Terminal Regulator	KA378R05TU
U901	03-07812-13	3-Terminal Regulator	KA278R12CTU
Q904	31-05210-00	MOSFET	IRF5210 TO-220
	RESISTOR		
R933	07-90689-01	SMT Resistor	6.8Ω,0805,1/8W,±5%,RC0805JR-076R8L
R936	07-92200-01	SMT Resistor	220Ω,0805,1/8W,±1%,RC0805FR-07220RL
R927	07-92700-01	SMT Resistor	270Ω,0805,1/8W,±1%,RC0805FR-07270RL
R905, R918, R919, R923	07-91001-01	SMT Resistor	1KΩ,0805,1/8W,±1%,RC0805FR-071K1L
R926	07-91201-01	SMT Resistor	1.2KΩ,0805,1/8W,±1%,RC0805FR-071K2L
R934	07-92701-01	SMT Resistor	2.7KΩ,0805,1/8W,±1%,RC0805FR-072K7L
R935	07-92871-01	SMT Resistor	2.87KΩ,0805,1/8W,±1%,RC0805FR-072K87L
R928	07-93301-01	SMT Resistor	3.3KΩ,0805,1/8W,±1%,RC0805FR-073K3L
R906, R907, R937	07-95101-01	SMT Resistor	5.1KΩ,0805,1/8W,±1%,RC0805FR-075K1L
R932	07-96801-01	SMT Resistor	6.8KΩ,0805,1/8W,±1%,RC0805FR-076K8L
R902, R903, R904	07-91002-01	SMT Resistor	10KΩ,0805,1/8W,±1%,RC0805FR-0710K1L
R915	07-91803-01	SMT Resistor	180KΩ,0805,1/8W,±1%,RC0805FR-07180K1L
R925	07-90820-02	SMT Resistor	82Ω,1206,1/4W,±5%,RC1206JR-0782RL
R920, R921, R922	07-90102-02	SMT Resistor	1KΩ,1206,1/4W,±5%,RC1206JR-071K1L
R929, R930, R931	07-90754-02	SMT Resistor	750KΩ,1206,1/4W,±5%,RC1206JR-07750K1L
R911, R912, R913	07-90335-02	SMT Resistor	3.3MΩ,1206,±5%,RC1206JR-073M3L
R908, R909, R910	07-90515-02	SMT Resistor	5.1M, 1206, ±5% RC1206JR-075M1L
R916	07-30479-04	Metal Oxide film Resistor	4.7Ω, 1W, ±5%
R914	07-30683-04	Metal Oxide film Resistor	RY21, 68KΩ, 2W, ±5%,Pitch=5mm
TH901	07-70050-02	NTC	5D-11
ZV901	07-70471-03	TVS	TUR10D471
	CAPACITORS		
C922	26-10151-01	SMT Capacitor	100pJ,50V,0805,NPO,C2012C0G1H101JT
C914	26-10222-01	SMT Capacitor	1nK, 200V, 0805, X7R
C903, C904, C905, C906, C907, C908, C915, C921	26-10451-11	SMT Capacitor	100nK,50V,0805,X7R
C919	05-10113-00	Hign Voltage Cermatic Capacitor	100pF, 10%, 1KV,CT81-1KV-06c-2B4-101K

CX901	A25-10422-09	Interfernece Suppression Cap	MKP62/275VAC, X'RADH, 10 0nF, 10%; MKP- 104K0275AB1101
CX902	A25-22422-09	Interfernece Suppression Cap	MPX, 220nF, 275VAC, ± 10%, X2, PX224K3D39L27
CY901	A05-10242-00	Hign Voltage Cermatic Capacitor	1nF, 400V(X1), 250V(Y1), ± 20% CT81-400VAC-08b-2E4- 102M-YA
CY902 CY903	A05-10242-00	Hign Voltage Cermatic Capacitor	CT81-400VAC-08b-2E4- 102M-YA
C912	05-47213-00	High Voltage Ceramic Capacitor	4.7nF, 1KV, ±10%, CT81-1KV- 12b-2B4-472KT5B
C913	06-10051-02	Alu Electrolytic Capacitor	CD263(X), 10uF, 50V, ± 20%, 105 °C
C920	06-47051-06	Alu Electrolytic Capacitor	CD263, 47uF, 50V, ±20%, 6.3x 11, F2.5
C902, C909, C910	06-33121-06	Alu Electrolytic Capacitor	CD289, 330uF, 25V, ± 20%, Pitch=3.5mm, 8*16mm
C902, C909, C910	or 06-33121-01	Alu Electrolytic Capacitor	CD263(X), 330uF, 25V, ± 20%, F3.5
C911	06-68042-01	Alu Electrolytic Capacitor	CD294, 68uF, 400V, ± 20%, 105 °C, Pitch=10mm, D=22mm
C901, C916, C917, C918	06-10221-06	Alu Electrolytic Capacitor	1000uF, 25V, ±20%, 105 °C, EEUFC1E102(B)
C901, C916, C917, C918	or 06-10221-08	Alu Electrolytic Capacitor	1000uF, 25V, ±20%, 105 °C, 108KXM025MSA
	INDUCTOR		
L901	08-05050-00	INDUCTOR	5uH, R0603-5uH
L902	22-00025-02	INDUCTOR	10mH, HJ-UF10.5-04
L903	22-00098-00	INDUCTOR	HJ-10mH UU9.8
	TRANSFORMER		
T901	A22-00025-21	Transformer	Nanjing Infinity EEL25- 400uH C427
	CONNECTOR		
J901	13-23903-01	3芯3.96mm立式插座	VH 3.96A-3A
J902	13-22509-00	9芯2.54mm插座	XHB 2.5A-9A
F901	A20-12202-05	Fuse	5ET T2A 250V, 2A
	METAL PARTS		
S901	70-394001-0	Heatsink	AL6063
S902	70-223002-0	Power Heatsink	AL1050 T5, T=3.0mm
S903	70-394002-0	Heatsink	AL6063
S903	61-023508-0	Machine Screw	MB3x8
S901	61-023510-0	Machine Screw	MB3x10
S901	85-211001-0	Parts Housing	PTB, TC-21
S901	62-010302-0	Nut	GB6170, M3
S903	85-157001-0	Transistor Washer	TW-4
S903	78-013008-0	Insulated Cushion	SQ9418
T901	78-000400-0	Heat Shrinking Tube	Φ40, 20mm
	MISC		
	A11-01101-03	Rocker Switch	RF-1003-BB2, 10A 250V, TV-5
	14-42709-00	Wire	UL2468#26AWG*9C, L=240 mm
	14-42717-00	Cable	17Pin, 1.25, L=95mm
L=70mm	14-44601-00	Wire	L=70mm
	14-42724-00	FFC	1.0mm, 24, L=240mm

L=95mm	14-44602-00	Connector	UL1672#18AWG ,L=95mm
	29-42701-00	AM Antenna	DW-QQ001
	30-37300-00	TUNER ANTENNA (FM)	HAN-001
	30-87200-00	TV Matcher	IF-11/ZB-6
	A17-07002-07	AC Inlet	SS-7BA-4.0
AC Inlet(2)	A78-000050-1	Heat Shrinking Tube	Φ5
	30-14270-00	Remote Control	XHY3319F43-3
	78-394001-0	Foam	GK-17
	30-23200-10	Batteries	
	29-80202-00	L+R RCA--L+R RCA Cable	2RCA to 2RCA,L=1500mm,WH11C0060
	METAL PARTS		
	67-394001-0	Chassis	SECC-N5 T=1.0mm
	65-394001-0	Chassis	SECC-N5 T=1.0mm
	67-223002-3	Subfascia	SECC-N5 T=1.0mm
	65-223002-3	Subfascia	SECC-N5 T=1.0mm
	67-394002-0B	Rear Panel	SECC-N5,T=1.0mm
	80-394002-0	Rear Panel	SECC-N5,T=1.0mm
	65-394002-0	Rear Panel	SECC-N5,T=1.0mm
	66-047004-0	Tuner Bracket	SECC-N5 T=1.0mm
	66-223001-0	Bracket	SECC-N5 T=1.0mm
	PLASTIC PARTS		
	84-001001-1	Wire Holder	KL-2 (3M)
	76-223001-0	Display Lens	PMMA,(OP P/N: 25-008-0405-92)
	87-124001-0	Foot ASSY	
	75-124001-0	Foot	ABS765B
	78-001002-1	Foot Pad	MX-48HF, 90°±2°,OD=25.5mm,ID=14.1mm,T=3mm
	FASTENERS		
	61-023506-0	machine Screw	MB3x6
	61-023208-0	Self Taping Screw	BTB3x8
	61-023106-0	Self Taping Screw	STB3x6
	61-063105-0	Self Taping Screw	STF3x5
AC INLET(2),	61-063106-0	self taping screw	STF3x6
	61-063506-0	Machine Screw	MF3x6
	61-023206-0	self taping screw	BTB3x6
	63-110305-0	Washer	φ3xφ7x0.5
	PACKING LIST		
	88-394001-0A	Carton Box	ID=544mmx377mmx162mm
	89-223001-1	EPE End Cap	EPE((0.028g/cm3)
	89-223002-1	EPE End Cap	EPE(0.028g/cm3)
	90-001001-0	Polybag	630X440mm
	90-223001-0	Polybag	HDPE,550X250mm
	30-44270-00	instruction	
	90-001002-0	Polybag	370*220mm HDPE
	90-001013-0	AC Cord Polybag	105X280mm
	90-009002-1	Non-woven Cloth	H=80 W=100 L=435
	94-394001-1	Series No Label	53x10mm
	86-000053-0	Copperplate Label	53x10mm

	67-223003-1	Top Cover	SECC-N5, T=1.2mm,PPG:PCSC90103 S#5
	65-223003-1	Top Cover	SECC-N5, T=1.2mm
	70-394003-0A	Fascia	AL 6063 T5,3460-01013
	70-223003-1	Left End cap	AL 6063 T5,3460-01013
	70-223004-1	Right End cap	AL 6063 T5,3460-01013
	J71-223001-0	Volume Knob	
	74-132001-0	DUO BUTTON	ABS 765B
	77-223001-0	2P Input Button Bezel	
	74-123003-1	Power Button	ABS
	77-124004-0	Power Button Bezel	PC,UL94V-0
	M77-223003-1	Volume Knob Bezel	ABS757
	61-023106-0	Self Taping Screws	STB3X6
	61-084108-0	Self Taping Screws	STPW4X8
	J37-01140-23	TUNER	KST-MB114MA0-23
	JA15-10125-01	AC Cord(AH Version)	LP-13W & SVT 18AWGx 2,Black 6' & LP-16
	or A15-10125-00	AC Cord(AH Version)	ME302P,SJT 18AWGx 2,VAC17S
	94-394002-1	Version Label(AH)	115x85mm,
	30-51500-01	Guarantee Card	210X148mm
	J37-01141-23	TUNER	KST-MB114MA1-23
	A15-10250-00	AC Cord(C Version)	M3204,H05VV-F 2x 0.75mm,VAC17S
	or JA15-10250-20	AC Cord(C Version)	PE-224 & H05VV-F, 2x 0.75mm2,2C Black 6' & LS- 20
	67-223003-1	Top Cover	SECC-N5, T=1.2mm,PPG:PCSC90103 S#5
	65-223003-1	Top Cover	SECC-N5, T=1.2mm
	70-394003-0A	Fascia	AL 6063 T5,3460-01013
	70-223003-1	Left End cap	AL 6063 T5,3460-01013
	70-223004-1	Right End cap	AL 6063 T5,3460-01013
	J71-223001-0	Volume Knob	
	74-132001-0	DUO BUTTON	ABS 765B
	77-223001-0	2P Input Button Bezel	
	74-123003-1	Power Button	ABS
	77-124004-0	Power Button Bezel	
	M77-223003-1	Volume Knob Bezel	ABS765B
	61-023106-0	Self Taping Screws	STB3X6
	61-084108-0	Self Taping Screws	STPW4X8
	94-394003-1	Version Label(C)	115x85mm

EXPLODED VIEW



C427 PART LIST				
ITEM	PART NO.	PART NAME	QTY	REMARK
1	70-394003-0A	fascia	1	
2	76-223001-0	lens	1	
3	78-394001-0	film	1	
4	J71-223001-0	knob	1	
5	77-223003-0	knob bezel	1	
6	70-223004-1	right end cap	1	
7	75-124001-0	foot	4	
8	78-001002-1	foot pad	4	
9	67-394001-0	chassis	1	
10	66-047004-0	tunner bracket	1	
11	J37-01141-23	tuner	1	C
	J37-01140-23			AH
12	67-394002-0B	rear panel	1	
13	A11-01101-03	rocker switch	1	
14	A17-07002-07	AC inlet	1	
15	67-223003-1	top cover	1	
16	01-42701-10	main board	1	120V
	01-42701-20			230V
17	01-42705-00	SMPS board	1	
18	01-44604-00	encoder board	1	
19	01-42702-00	FPP board	1	
20	67-223002-3	subfascia	1	
21	70-223003-1	left end cap	1	
22	74-123003-1	power button	1	
23	77-124004-0	power button bezel	1	
24	74-132001-0	2P button	3	
25	77-223001-0	2P button bezel	3	
26	66-223001-0	bracket A	5	
27	66-223002-1	bracket B	1	
28	85-223003-0	plastic spacer	1	